



Microtips

TECHNOLOGY

Model No: UMSH-8240MD-8T

Approved By	


Tel: 1 (888) 499-8477

Fax: (407) 273-0771

E-mail: mtusainfo@microtipsusa.com

Web: www.microtipsusa.com

Revision record

Document Revision	Model No. Version No.	Description	Revision by
0	UMSH-8240MD-T Version No. 0		Jeffry Chen Y.D. Shie 4-Aug-2008
1	UMSH-8240MD-1T Version No. 0	Add touch panel on LCM.	Jeffry Chen Y.D. Shie 23-Jun-2009
2	UMSH-8240MD-1T Version No. 1	1. Modify the DC Characteristics. 2. Modify the Power on/off sequence.	Jeffry Chen Y.D. Shie 15-Sep-2009
3	UMSH-8240MD-1T Version No. 2	Add touch panel information.	Sharon Tsai 10-Jan-2011
4	UMSH-8240MD-1T Version No. 3	Revise the Outline Dimension.	Jeffry Chen Y.D. Shie 20-Jan-2011
5	UMSH-8240MD-1T Version No. 4	Add T/P defined of area A and B.	Jeffry Chen Y.D. Shie 16-Feb-2011
6	UMSH-8240MD-5T Version No. 0	1. Modify the module thickness. 2. Modify the module number from UMSH-8240MD-1T to UMSH-8240MD-5T.	Jeffry Chen Y.D. Shie
7	UMSH-8240MD-6T Version No. 0	1. Remove the T/P. 2. Modify the module number from UMSH-8240MD-5T to UMSH-8240MD-6T.	Jeffry Chen Y.D. Shie 22-Jul-2011
8	UMSH-8240MD-7T Version No. 0	1. Modify the interface pin. 2. Add vcom board on LCM. 3. Modify the module number from UMSH-8240MD-5T to UMSH-8240MD-7T.	Jeffry Chen Y.D. Shie 12-Nov-2011
9	UMSH-8240MD-8T Version No. 0	1. Modify the module thickness. 2. Modify the interface pin. 3. Modify the module number from UMSH-8240MD-T to UMSH-8240MD-8T	Jeffry Chen Y.D. Shie 08-Feb-2012
10	UMSH-8240MD-8T Version No. 1	1. Change isolation tape color from brown to blue 2. FPC stiffener add white line 3. Change FPC stiffener material from PET to PI 4. Change FPC thickness from 0.16 mm to 0.12 mm.	C.K.T Chen Titan Lo 06-Nov-2017
		Revision 10 ; UMSH-8240MD-8T Ver. 1 ; November-06-2017	Page: 2

CONTENTS:

No.	Item	Page
1	BASIC SPECIFICATION	
	1.1 Mechanical Specification	4
	1.2 Display Specification	4
	1.3 Outline Dimension	5
	1.4 Block Diagram	6
	1.5 Interface Pin	7~9
2	ELECTRICAL CHARACTERISTICS	
	2.1 Absolute Maximum Ratings	10
	2.2 DC Characteristics	11~12
	2.3 Back-light	13
	2.4 AC Characteristics	14~16
	2.5 Power Sequence	17~18
3	OPTICAL CHARACTERISTICS	
	3.1 Condition	19
	3.2 Definition of Optical Characteristics	20~21
4	RELIABILITY	22
5	PRODUCT HANDING AND APPLICATION	23
6	DATECODE	24
7	PACKING & LOTNO	25~26
8	INSPECTION STANDARD	27~30

1. BASIC SPECIFICATION

1.1 Mechanical specifications

Items	Nominal Dimension	Unit
Dot Matrix	800 x RGB x 600	dots
Module Size (W x H x T)	183 x 141 x 5.6	mm.
Active Area (W x H)	162 x 121.5	mm.
Dot Pitch (W x H)	0.0675 x 0.2025	mm.
Driving IC Package	COG	-
Module weight	241	g

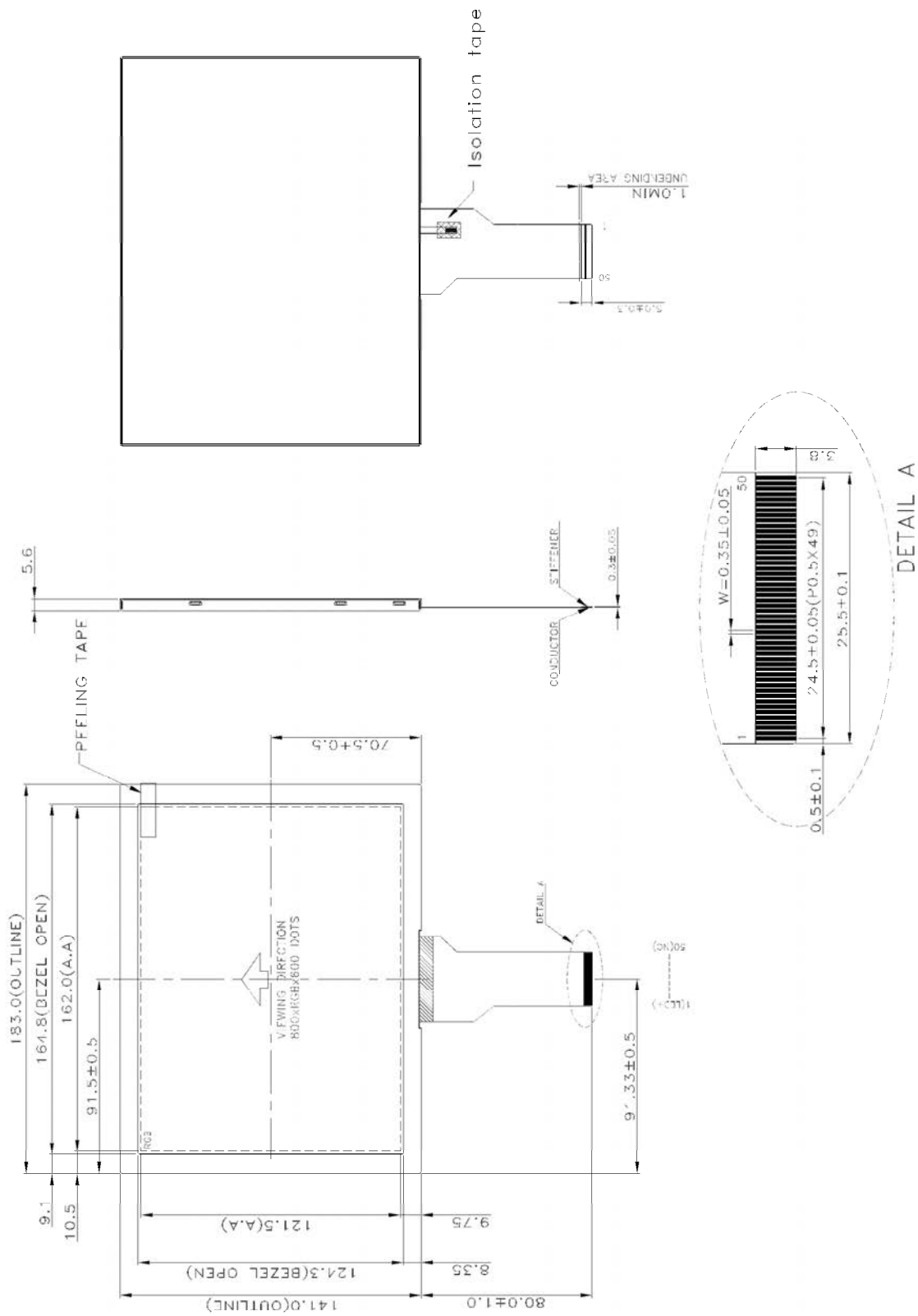
1.2 Display specification

Display	Descriptions	Note
LCD Type	8" TFT	-
LCD Mode	Normally White	-
Polarizer Mode	Transmissive	-
Polarizer UV - Cutting	With	-
Polarizer Surface	Normal	-
Background Color	White	-
Backlight Type	LED	-
Backlight Color	White	-
Viewing Direction(Gray inversion)	6 O'clock Direction	1

* Color tone is slightly changed by temperature and driving voltage.

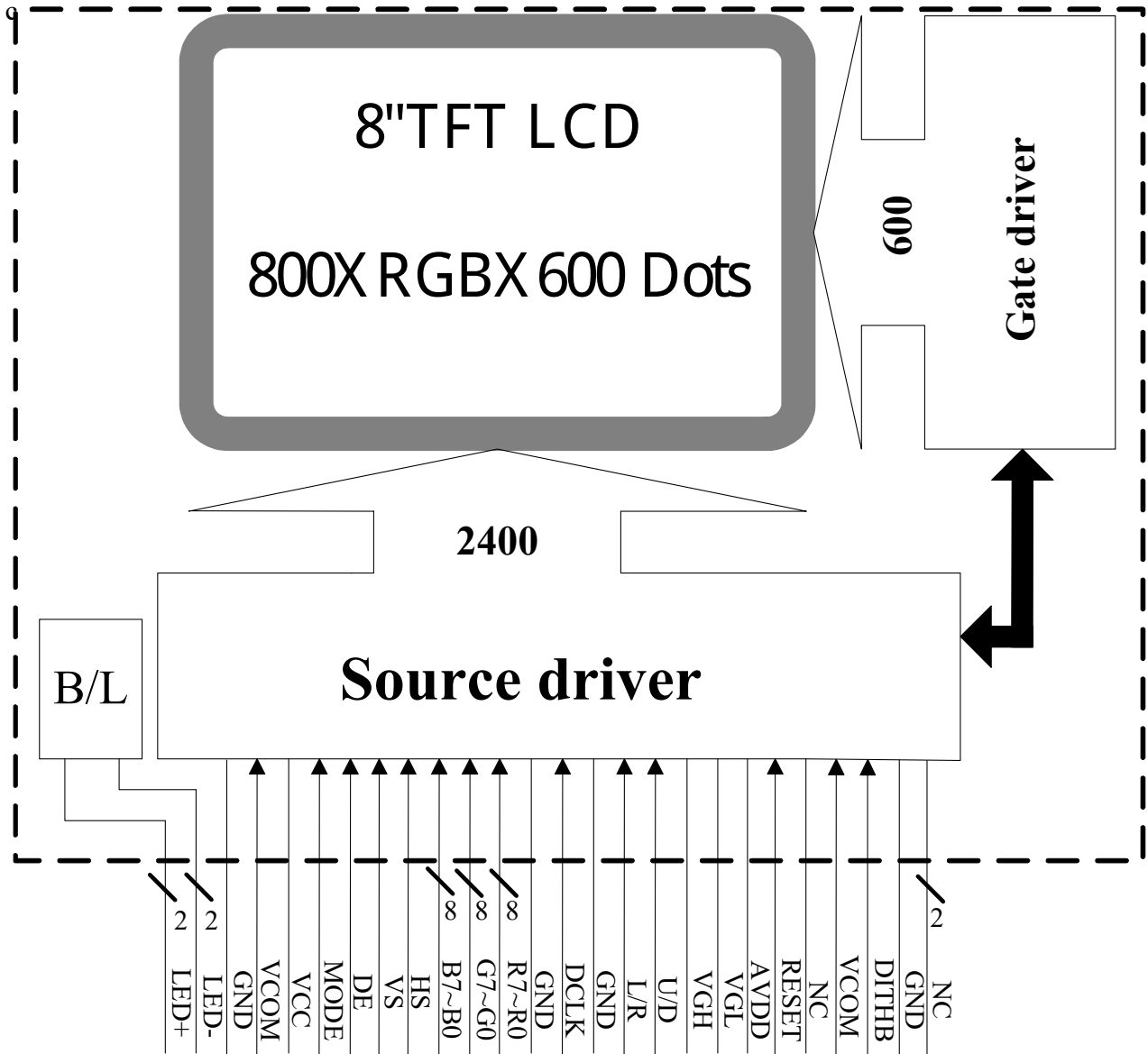
Note 1 : The viewing direction defined in this specification is according to the rubbing direction of its TFT surface treatment by the TFT glass manufacturer. The grayscale inversion is at this direction as well. However, the optimal viewing direction for human view is normally where the color does NOT change to grayscale inversion, and this would be the opposite site of the specified viewing direction in this specification. In any case we advise customers to judge by themselves, and be aware of this phenomenon.

1.3 Outline dimension



- NOTE:
- 1.FPC CONNECTOR SUGGEST TO BE HIROSE "FH12A-50S-0.5H"
 - 2.THE BENDING RADIUS OF FPC SHOULD BE LARGER THAN 1.0mm
 - 3.TOLERANCE FOR NOT ASSIGNED: ±0.3
 - 4.Top: -20~70°C, Tst: -30~80°C

1.4 Block diagram:



1.5 Interface pin :

Pin No.	Pin Symbol	I/O	Description
1~2	LED+	P	LED Anode.
3~4	LED-	P	LED Cathode.
5	GND	P	Power ground.
6	VCOM	I	Common voltage.
7	VCC	P	Power for Digital circuit.
8	MODE	I	DE/SYNC mode select, Normally pull high. H: DE mode. L: HS/VS mode.
9	DE	I	Data Input Enable.
10	VS	I	Vertical Sync Input.
11	HS	I	Horizontal Sync Input.
12~19	B7~B0	I	Blue data.
20~27	G7~G0	I	Green data.
28~35	R7~R0	I	Red data.
36	GND	P	Power ground.
37	DCLK	I	Dot clock.
38	GND	P	Power ground.
39	L/R	I	Right/ left selection. Note1, 2.
40	U/D	I	Up/down selection. Note1, 2.
41	VGH	P	Gate ON voltage.
42	VGL	P	Gate OFF voltage.
43	AVDD	P	Power for Analog circuit.

1.5 Interface Pin Connection:(cont.)

Pin No.	Pin Symbol	I/O	Description
44	RESET	I	Global reset pin. Active Low to enter Reset State. Suggest to connecting with an RC reset circuit for stability. Normally pull high.
45	NC	-	No connection.
46	VCOM	I	Common voltage.
47	DITHB	I	Dithering function enable control. Normally pull high. DITHB="1", Disable internal dithering function. For 18bit RGB interface, connect two LSB bits of all the R/G/B data buses to GND. DITHB="0", Enable internal dithering function, For TTL 24bit parallel RGB image data input.
48	GND	P	Power ground.
49~50	NC	-	No connection.

Note 1: Global reset pin. Active Low to enter Reset State. Suggest to connecting with an RC reset circuit for stability. Normally pull high.

Note 2: Selection of scanning mode

Setting of scan control input		Scanning direction
U/D	R/L	
GND	V _{CC}	Up to down, left to right
V _{CC}	GND	Down to up, right to left
GND	GND	Up to down, right to left
V _{CC}	V _{CC}	Down to up, left to right

Note 3: DE/SYNC mode select, Normally pull high.

H: DE mode.

L: HS/VS mode.

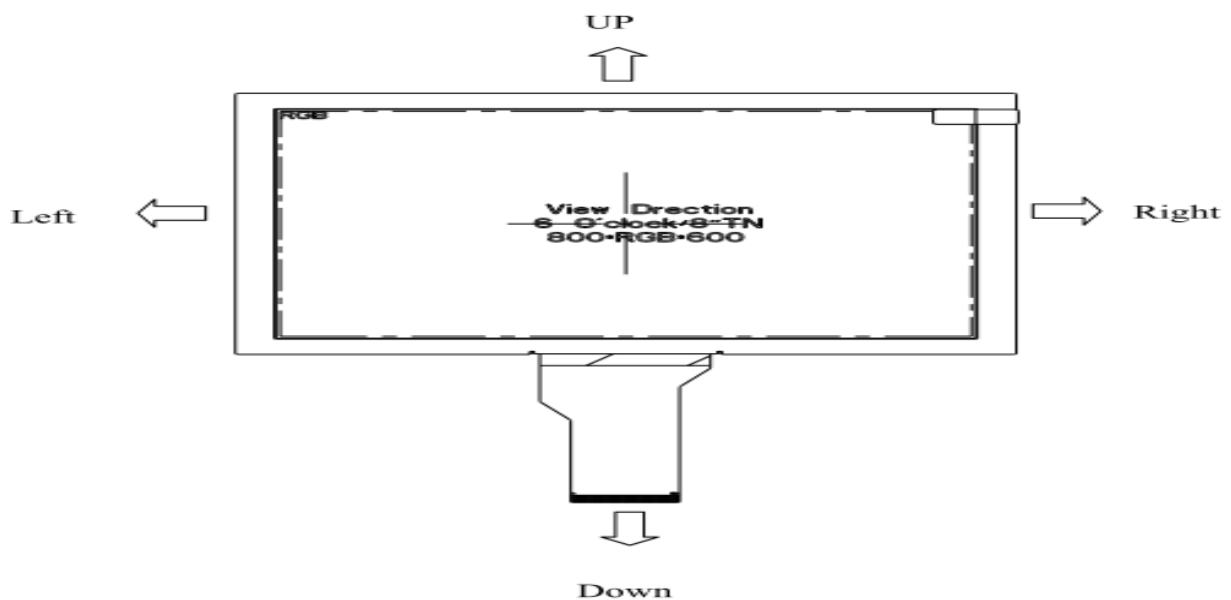
Note4: Dithering function enable control. Normally pull high.

DITHB="1", Disable internal dithering function. For 18bit RGB interface, connect two LSB bits of all the R/G/B data buses to GND.

DITHB="0", Enable internal dithering function, For TTL 24bit parallel RGB image data input.

Note 5: Definition of scanning direction.

Refer to the figure as below:



2. ELECTRICAL CHARACTERISTICS

2.1 Absolute Maximum Ratings

(GND=AV_{SS}=0V, Note 1)

Item	Symbol	Values		Unit	Remark
		Min.	Max.		
5Power voltage	V _{CC}	-0.3	5	V	
	AV _{DD}	6.5	13.5	V	
	V _{GH}	-0.3	42	V	
	V _{GL}	-20	0.3	V	
	V _{GH} -V _{GL}	-0.3	40	V	
Operation Temperature Storage Temperature	T _{OP}	-20	70	°C	
	T _{ST}	-30	80	°C	
LED Reverse Voltage	V _R	-	1.2	V	each LED Note 2
LED Forward Current	I _F	-	25	mA	each LED

Note 1: The absolute maximum rating values of this product are not allowed to be exceeded at any times. Should a module be used with any of the absolute maximum ratings exceeded, the characteristics of the module may not be recovered, or in an extreme case, the module may be permanently destroyed.

Note 2: V_R Conditions: Zener Diode 20mA

2.2 DC Characteristics

(GND=AV_{SS}=0V, Note 1)

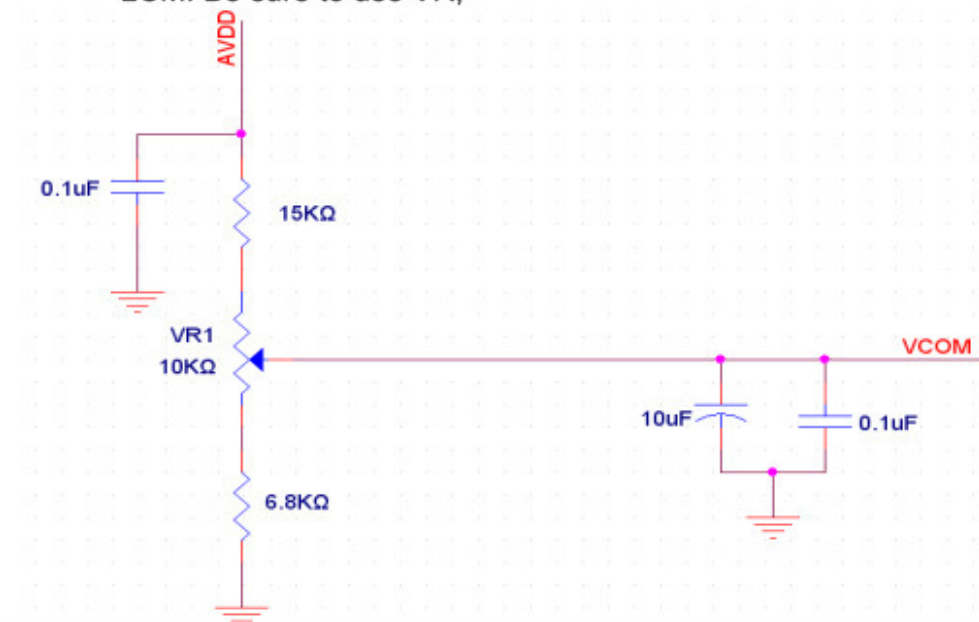
Item	Symbol	Values			Unit	Remark
		Min.	Typ.	Max.		
Power voltage	V _{CC}	3.0	3.3	3.6	V	Note 2
	AV _{DD}	10.2	10.4	10.6	V	
	V _{GH}	15.3	16.0	16.7	V	
	V _{GL}	-7.7	-7.0	-6.3	V	
Input signal voltage	V _{COM}	2.8	3.8	4.8	V	Note 4
Input logic high voltage	V _{IH}	0.7V _{CC}	0.9V _{CC}	V _{CC}	V	Note 3
Input logic low voltage	V _{IL}	0	0.1V _{CC}	0.3V _{CC}	V	

Note 1: Be sure to apply V_{CC} and V_{GL} to the LCD first, and then apply V_{GH}.

Note 2: V_{CC} setting should match the signals output voltage (refer to Note 3) of customer's system board .

Note 3: DCLK,HS,VS,RSTB,UPDN,STLR,MODE,DITHB.

Note 4: Typical V_{COM} is only a reference value, it must be optimized according to each LCM. Be sure to use VR;



2.2.1 Current Consumption:

(GND=AV_{SS}=0V)

Item	Symbol	Values			Unit	Remark
		Min.	Typ.	Max.		
Current for Driver	I _{GH}	0.05	0.2	0.5	mA	V _{GH} =16.0V
	I _{GL}	0.05	0.2	1.0	mA	V _{GL} = -7.0V
	I _{CC}	1	5.5	10.0	mA	V _{CC} =3.3V
	I _{AV_{DD}}	5	32.0	50.0	mA	AV _{DD} =10.4V

2.3 Back-light Specification :

Item	Symbol	Values			Unit	Remark
		Min.	Typ.	Max.		
Voltage for LED backlight	V_L	8.4	9.3	10.5	V	Note 1
Current for LED backlight	I_L	162	180	198	mA	
LED life time	-	20,000	-	-	Hr	Note 2

Note 1: The LED Supply Voltage is defined by the number of LED at $T_a=25^{\circ}\text{C}$ and $I_L=180\text{mA}$.

Note 2: The "LED life time" is defined as the module brightness decrease to 50% original brightness at $T_a=25^{\circ}\text{C}$ and $I_L=180\text{mA}$. The LED lifetime could be decreased if operating I_L is larger than 180 mA.

2.4 AC Characteristics

Item	Symbol	Values			Unit	Remark
		Min.	Typ.	Max.		
HS setup time	T_{hst}	8	10	12	Ns	
HS hold time	T_{hhd}	8	10	12	Ns	
VS setup time	T_{vst}	8	10	12	Ns	
VS hold time	T_{vhd}	8	10	12	Ns	

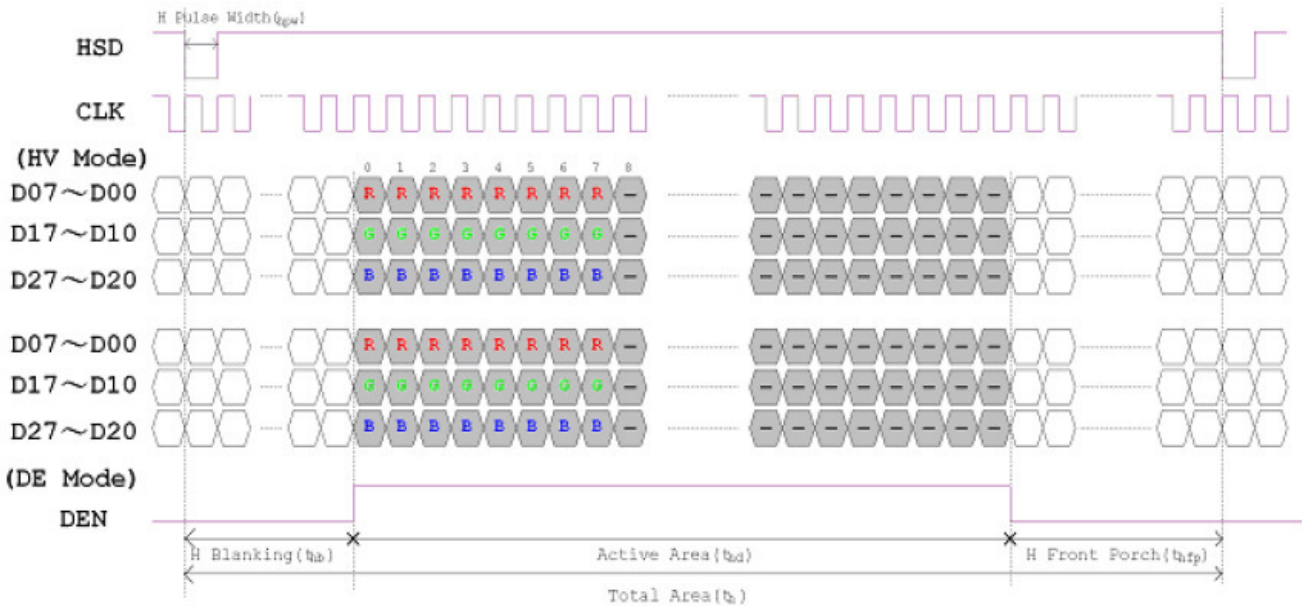
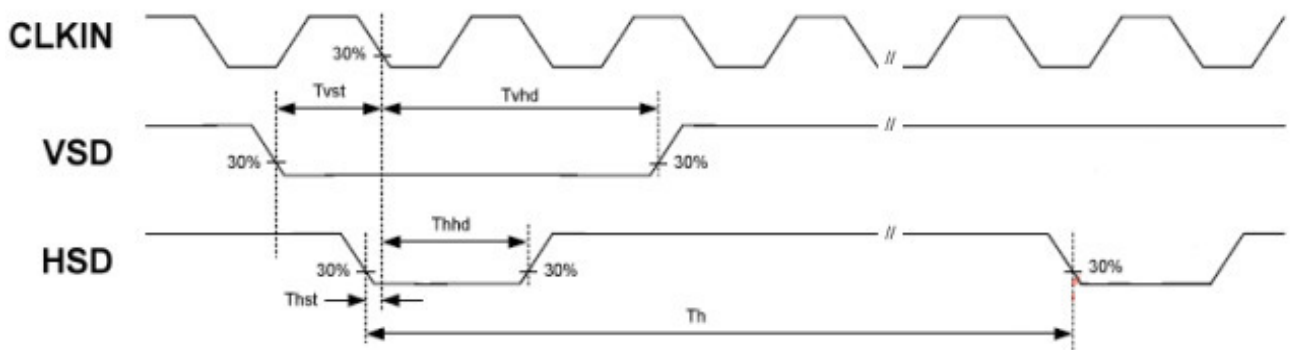
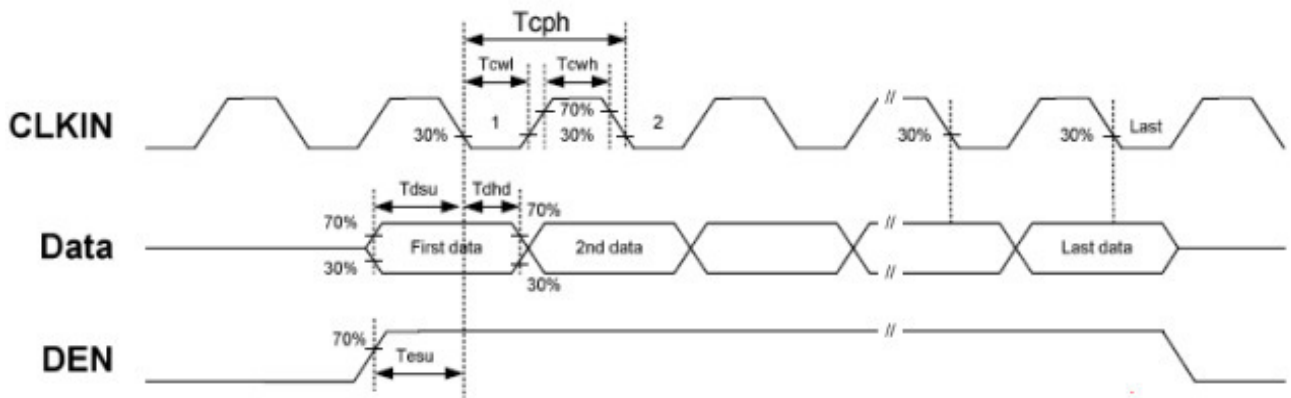
Data setup time	T_{dsu}	8	10	12	Ns	
Data hold time	T_{dhd}	8	10	12	Ns	
DE setup time	T_{esu}	8	10	12	Ns	
DE hold time	T_{ehd}	8	10	12	Ns	
VDD Power On Slew rate	T_{POR}	1	2	20	ms	
RSTB pulse width	T_{Rst}	10	20	50	us	
CLKIN cycle time	T_{coh}	20	25	30	Ns	
CLKIN pulse duty	T_{cwh}	40	50	60	%	

Timing:

Item	Symbol	Values			Unit	Remark
		Min.	Typ.	Max.		
Horizontal Display Area	thd	800			DCLK	
DCLK Frequency	fclk	33	40	50	MHz	
One Horizontal Line	th	862	1056	1200	DCLK	
HS pulse width	thpw	1	6	40	DCLK	
HS Back Porch(Blanking)	thb	46	46	46	DCLK	
HS Front Porch	thfp	16	210	354	DCLK	

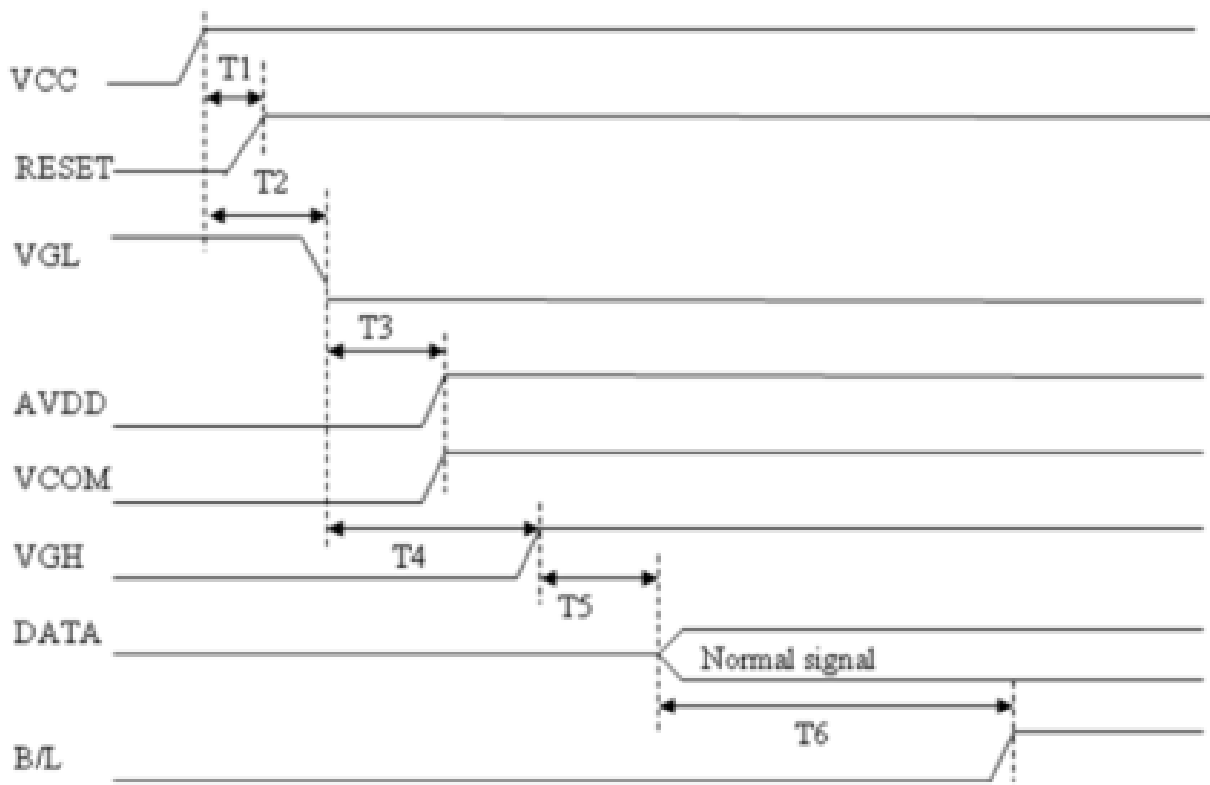
Item	Symbol	Values			Unit	Remark
		Min.	Typ.	Max.		
Vertical Display Area	tvd	600			TH	
VS period time	tv	624	635	700	TH	
VS pulse width	tvpw	1	3	20	TH	
VS Back Porch(Blanking)	tvb	23	23	23	TH	
VS Front Porch	tvfp	1	12	77	TH	

Timing Diagram:



2.5 Power Sequence

2.5.1 Power On Sequence:

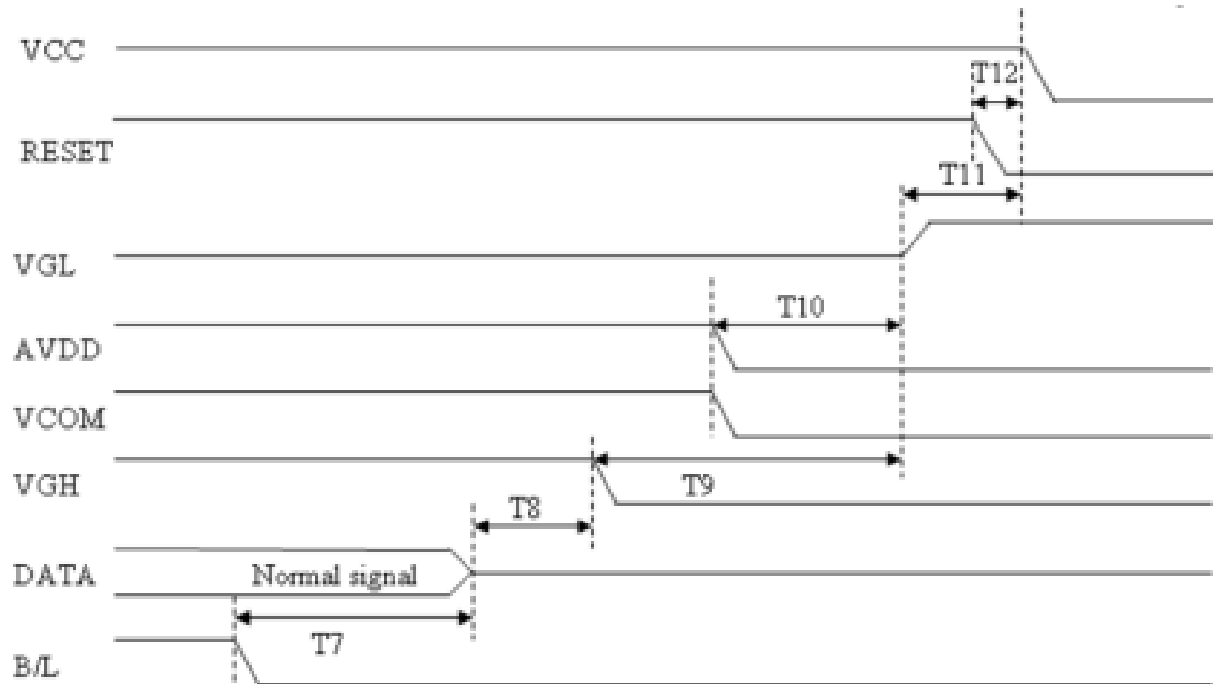


VCC → RESET → DATA → AVDD Gamma → VGL → VGH → B/L

Symbol	SPEC			Unit
	Min.	Typ.	Max.	
T1	1	1	1.5	ms
T2	20	30	50	ms
T3	5	20	50	ms
T4	10	20	50	ms
T5	10	20	50	ms
T6	200	300	400	ms

Note: Data include R0~R7, B0~B7, GO~G7, UD, LR, DCLK, HS, VS, DE.

2.5.2 Power OFF Sequence:



Note: Data include R0-R7, B0-B7, GO-G7, STLR, UPDN, DCLK, HS, VS, DE.

Symbol	SPEC			Unit
	Min.	Typ.	Max.	
T7	0	30	50	ms
T8	10	20	50	ms
T9	10	20	50	ms
T10	5	20	50	ms
T11	20	30	50	ms
T12	1	1.5	3	ms

3. OPTICAL CHARACTERISTICS

3.1 Characteristics

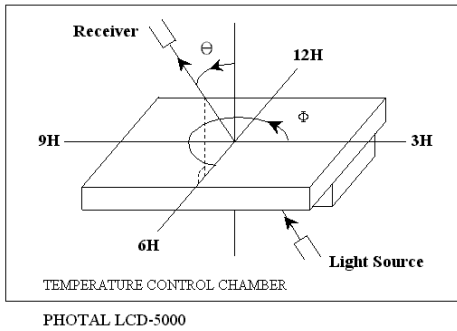
Electrical and Optical Characteristics

No.	Item			symbol / temp.	Min.	Typ.	Max.	Unit	Note	
1	Response Time			Tr	25 °C	-	10	ms	2	
				Tf		-	15			30
2	Viewing Angle	Hor.	Cr ≥ 10	θ_{2+}	$\Phi = 0^\circ$	60	70	-	degree	3
				θ_{2-}	$\Phi = 180^\circ$	60	70	-		
		Ver.		θ_{1+}	$\Phi = 270^\circ$	60	70	-		
				θ_{1-}	$\Phi = 90^\circ$	40	50	-		
3	Contrast Ratio			Cr	25 °C	400	500	-	-	4
4	White x-code			Wx	25 °C	0.26	0.31	0.36	cd/m ²	
	White y-code			Wy		0.28	0.33	0.38		
	Brightness			Y		200	250	-		
5	Brightness Uniformity				25 °C	70	75	-	%	6

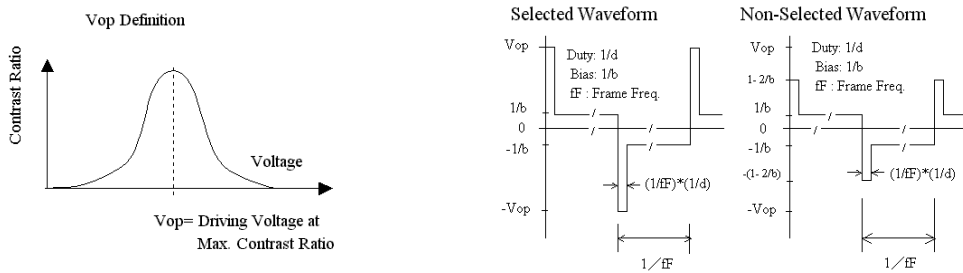
3.2 Definition of optical characteristics

Measurement condition :

Transmissive and Transflective type

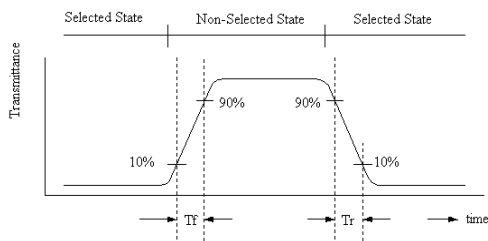


[Note 1] Definition of LCD Driving Vop and Waveform :



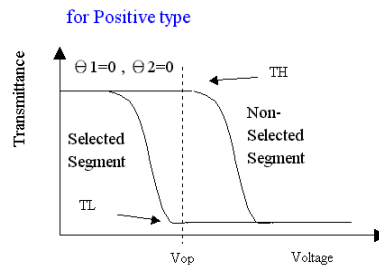
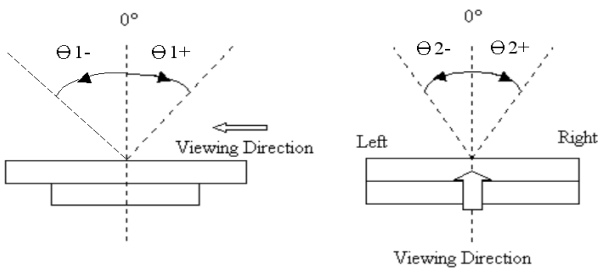
[Note 2] Definition of Response Time

for Positive type :



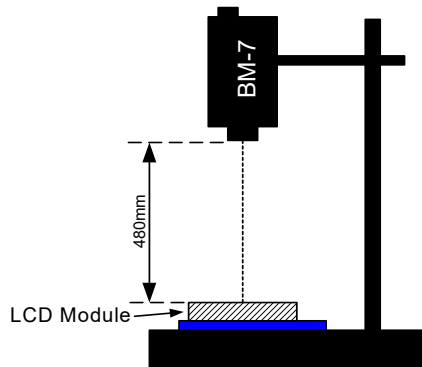
[Note 3] Definition of Viewing Angle :

[Note 4] Definition of Contrast Ratio :

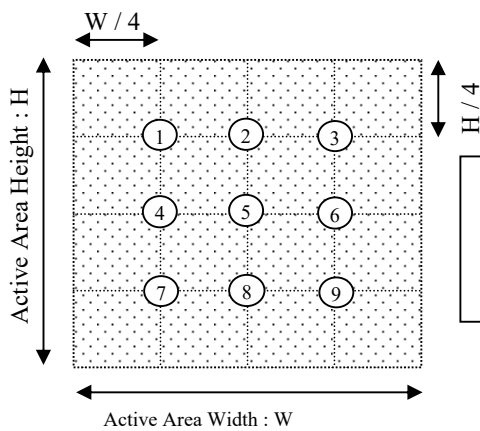


$$\text{Contrast Ratio} = \frac{TH}{TL}$$

[Note 5] Definition of measurement of Color Chromaticity and Brightness

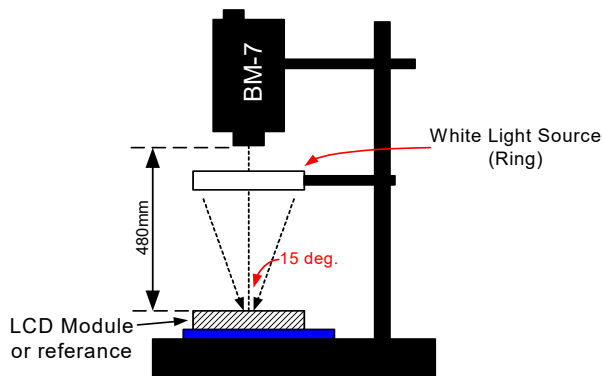


[Note 6] Definition of Brightness Uniformity



$$\text{Brightness Uniformity} = \frac{\text{Minimum Brightness of Point 1~9}}{\text{Maximum Brightness of Point 1~9}}$$

[Note 7] Definition of Measurement of Reflectance



4. RELIABILITY :

Item No	Items	Condition	Note
1	High temperature operating	70 °C , 200 hours	1
2	Low temperature operating	-20 °C , 200 hours	1
3	High temperature storage	80 °C , 200 hours	1
4	Low temperature storage	-30 °C , 200 hours	1
5	High temperature & humidity storage	40°C, 90%RH, 100 hours	2
6	Thermal Shock storage	-30°C, 30min.<=> 80°C, 30min. 10 Cycles	1
7	Mechanical Shock	100G 6ms,±X ,±Y ,±Z 3 times for each direction	
8	Vibration test	1.5G / 10~500 Hz , 30 min / cycle, 1 cycle for each X. Y. Z.	
9	Package Vibration test	10 => 55 =>10 => 55 => 10 Hz , within 1 minute Amplitude : 1.5mm. 15 minutes for each Direction (X,Y,Z)	
10	Drop test	Packed, 100CM free fall, 6 sides, 1 corner, 3edges	
11	Electro Static Discharge	± 2KV, Human Body Mode, 100pF/1500Ω	
12	Life time	50,000 hours 25°C , 60%RH , specification condition driving	

Note 1 : The product move into the room temperature for at least 2 hours with no condensation.

Note 2 : The product move into the room temperature for at least 24 hours with no condensation.

- * One single product test for only one item.
- * Judgment after test : keep in room temperature for more than 2 hours.
 - Current consumption < 2 times of initial value
 - Contrast > 1/2 initial value
 - Function : work normally

5. PRODUCT HANDLING AND APPLICATION

□ PRECAUTION FOR HANDLING LCM

- The LCD module contains a C-MOS LSI. People who operate the LCM should wear ESD protection equipment to prevent ESD hurt on products.
- Do not input any signal before power is turned on.
- Do not take LCM from its packaging bag until it is assembled.
- Peel off the LCM protective film slowly since static electricity may be generated.
- Pay attention to the humidity of the work shop, 50~60%RH is satisfactory.
- Use a non-leak iron for soldering LCM.
- Do not touch the display surface or connection terminals area with bare hands. Smudges on the display surface reduce the insulation between terminals.
- Cautions for soldering to LCM:
Condition for soldering I/O terminals:
Temperature at iron tip :350°C±15°C.
Soldering time : 3~4sec./ terminals.
Type of solder : Eutectic solder(rosin flux filled).

□ PRECAUTION IN USE OF LCM

- Do not contact or scratch the front surface and the contact pads of a LCM with hard materials such as metal or glass or with one's nail.
- To clean the surface , wipe it gently with soft cloth dampened by alcohol.
- Do not attempt to wiped off the contact pads.
- Keep LCM panels away from direct sunlight , also avoid them in high-temperature & high humidity environment for a long period.
- Do not drive LCM by DC voltage.
- Do not expose LCM to organic solvent.
- Liquid in LCM is hazardous substance. In case a contact with liquid crystal material is occurred, be sure to immediately wash such material away by soap and water.
- The polarizer is easily damaged and should be handle with special care. Don't press or rub it with hard objects.

□ PRECAUTION FOR STORING AND USE OF LCM

- To avoid degradation of the device , do not store the module under the conditions of direct sunlight , high temperature or high humidity . Keep the module in bags designed to prevent static electricity charging under low temperature / normal humidity conditions(avoid high temperature / high humidity and low temperature below 0°C)
- Never use the LCD , LCM under 45 Hz , the liquid crystal will decomposition and cause permently damage on display !!

□ USING ON MEDICAL CARE , SAFETY OR HAZARDOUS APPLICATION OR SYSTEM

- For the application in medical care, safety and hazardous products or systems, an authorization from MT is required. MT will not responsible for any damage or loss which caused by the products without any authorization given by MT.
- This product is not allowed to be designed and used for military application and/or purpose.
- The delivery of this product to the countries and/or regions where the embargoes are imposed by U.N. is prohibited.
- The application and delivery of this product must comply with Startegic High-Tech Commodities (SHTC) export control and the sales to the embargoed and/or sanctioned countries or regions are strictly prohibited.

6. DATE CODE OF PRODUCTS

- Date code will be shown on each product :

- **YY MM DD - XXXX**

| | | |
Year Month Day - Production lots

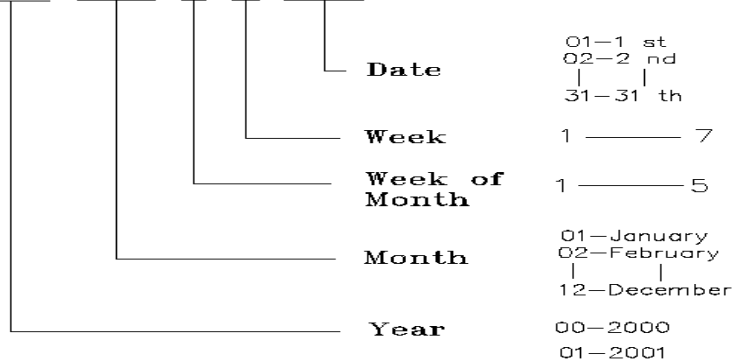
- Example: 121108 - 0003 ==> Year 2012, November,8th , Batch no.0003

Note : The lot no. attached on the packing box will be used for tracking once the part is too small to print the date code.

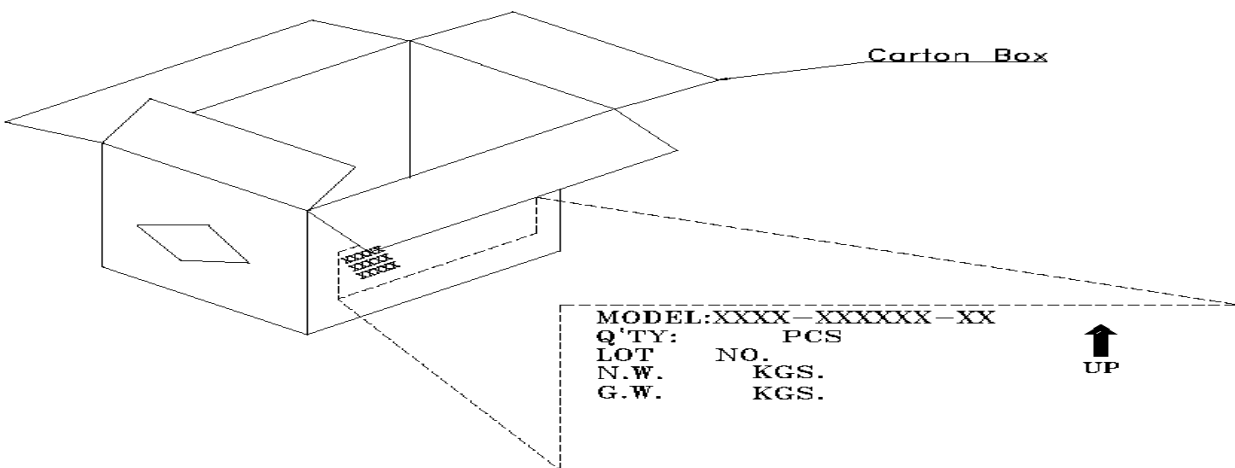
7. PACKING

Instruction of lot number:

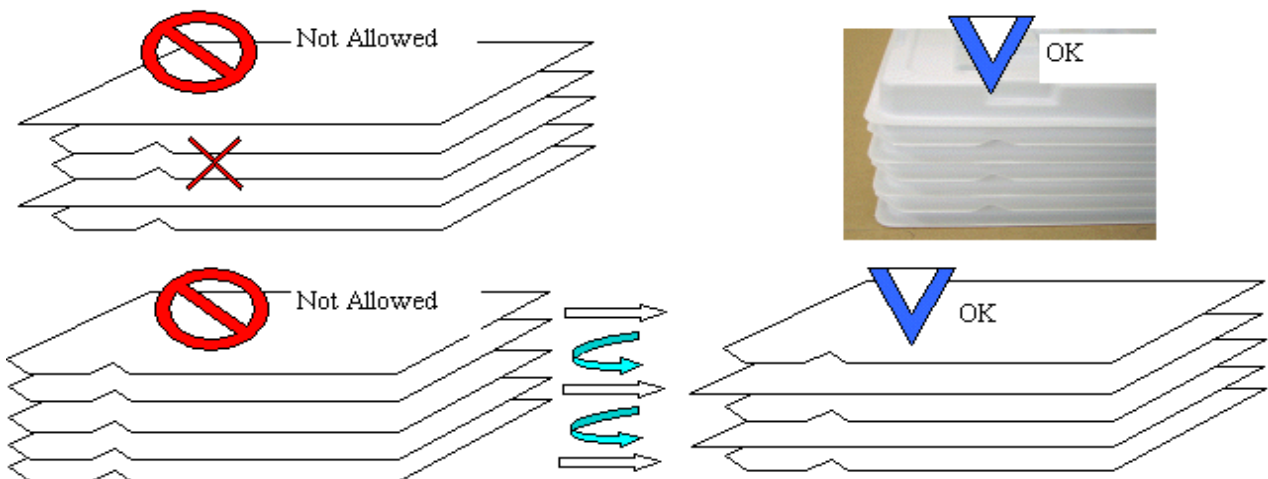
LOT NO. : 0 0 0 8 3 5 2 5 (Ex)



Label of carton:



Packing tray must be stacked with alternated direction to each others.
 To tacks packing trays in same direction will cause product damaged.

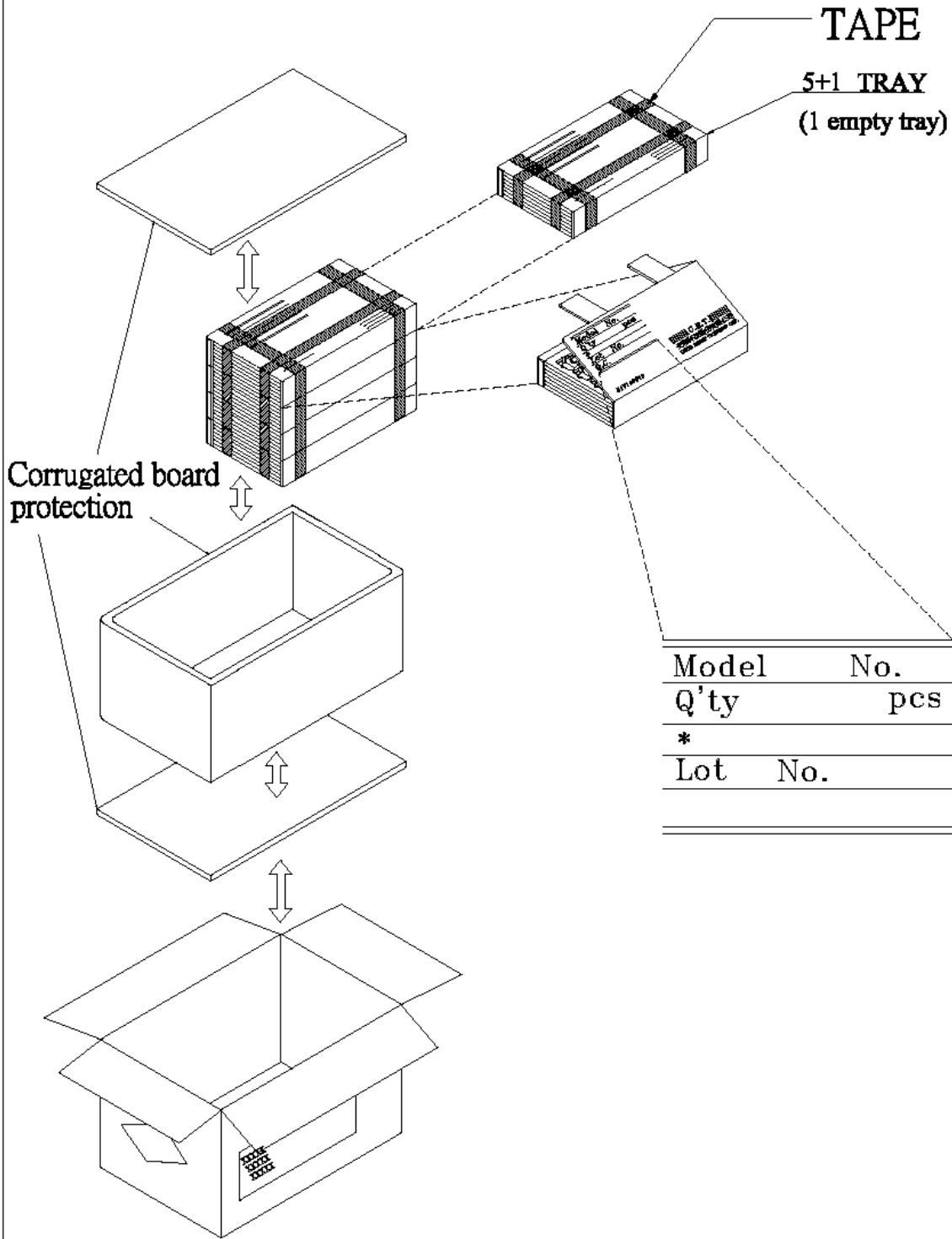


MODEL NO: UMSH-8240MD-8T

2 pcs / Tray
 5+1 Tray / Box
 4 Box / Carton
 40 pcs / Carton

NOTE:

- (1) Be warned, the direction of the tray has to turn it by 180 degree before stack it up. Otherwise, it will be packager's responsibility!!
- (2) Safe Stack : 5 cartons only



8. INSPECTION STANDARD

8.1. QUALITY :

THE QUALITY OF GOODS SUPPLIED TO PURCHASER SHALL COME UP TO THE FOLLOWING STANDARD.

8.1.1. THE METHOD OF PRESERVING GOODS

AFTER DELIVERY OF GOODS FROM MT TO PURCHASER. PURCHASER SHALL CONTROL THE LCM AT -10 °C TO 40 °C ,AND IT MIGHT BE DESIRABLE TO KEEP AT THE NORMAL ROOM TEMPERATURE AND HUMIDITY UNTIL INCOMING INSPECTION OR THROWING INTO PROCESS LINE.

8.1.2. INCOMING INSPECTION

(A) THE METHOD OF INSPECTION

IF PURCHASER MAKE AN INCOMING INSPECTION , A SAMPLING PLAN SHALL BE APPLIED ON THE CONDITION THAT QUALITY OF ONE DELIVERY SHALL BE REGARDED AS ONE LOT.

(B) THE STANDARD OF QUALITY

ISO-2859-1 (or MIL-STD-105E) , LEVEL II SINGLE PLAN.

CLASS	AQL(%)
CRITICAL	0.4 %
MAJOR	0.65 %
MINOR	1.5 %
TOTAL	1.5 %

EVERY ITEM SHALL BE INSPECTED ACCORDING TO THE CLASS.

(C) MEASURE

IF AS THE RESULT OF ABOVE RECEIVING INSPECTION , A LOT OUT IS DISCOVERED.

PURCHASER SHALL BE INFORM SELLER OF IT WITHIN SEVEN DAYS. BUT FIRST SHIPMENT WITHIN FOURTEEN DAYS.

8.1.3. WARRANTY POLICY

MT WILL PROVIDE ONE-YEAR WARRANTY FOR THE PRODUCTS ONLY IF UNDER SPECIFICATION OPERATING CONDITIONS. MT WILL REPLACE NEW PRODUCTS FOR THESE DEFECT PRODUCTS WHICH UNDER WARRANTY PERIOD AND BELONG TO THE RESPONSIBILITY OF MT.

8.2. CHECKING CONDITION

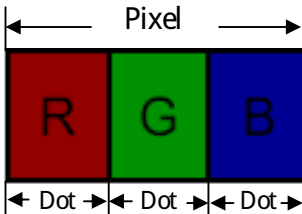
8.2.1. CHECKING DIRECTION SHALL BE IN THE 45 DEGREE AREA TO FACE THE SAMPLE.

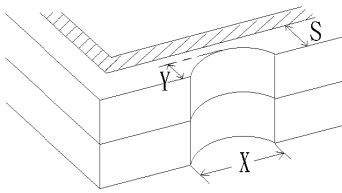
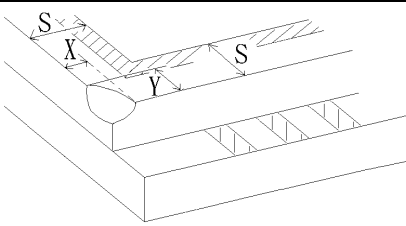
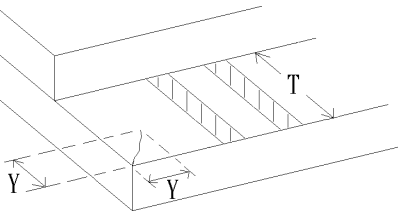
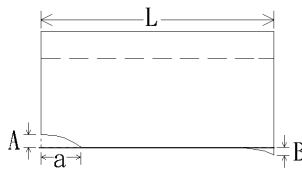
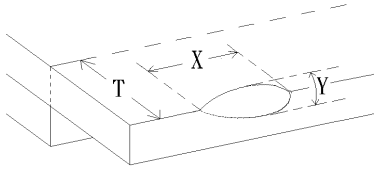
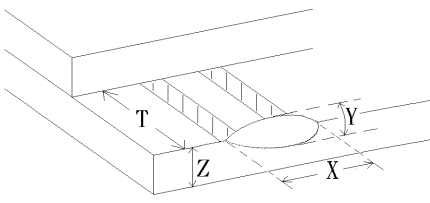
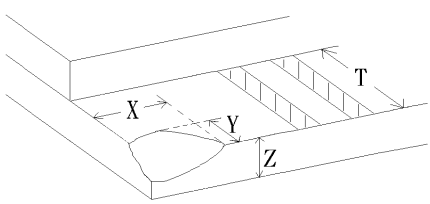
8.2.2. CHECKER SHALL SEE OVER 30 cm. WITH BARE EYES FAR FROM SAMPLE AND USING 2 PCS. OF 20W FLUORESCENT LAMP.

8.3. INSPECTION PLAN :

CLASS	ITEM	JUDGEMENT	CLASS
PACKING & INDICATE	1. OUTSIDE AND INSIDE PACKAGE	"MODEL NO." , "LOT NO." AND "QUANTITY" SHOULD INDICATE ON THE PACKAGE.	Minor
	2. MODEL MIXED AND QUANTITY	OTHER MODEL MIXED.....REJECTED QUANTITY SHORT OR OVER.....REJECTED	Critical
	3. PRODUCT INDICATION	"MODEL NO." SHOULD INDICATE ON THE PRODUCT	Major
ASSEMBLY	4. DIMENSION, LCD GLASS SCRATCH AND SCRIBE DEFECT.	ACCORDING TO SPECIFICATION OR DRAWING.	Major
APPEARANCE	5. VIEWING AREA	POLARIZER EDGE OR LCD'S SEALING LINE IS VISABLE IN THE VIEWING AREAREJECTED	Minor
	6. BLEMISH, BLACK SPOT, WHITE SPOT IN THE LCD AND LCD GLASS CRACKS	ACCORDING TO STANDARD OF VISUAL INSPECTION (INSIDE VIEWING AREA)	Minor
	7. BLEMISH, BLACK SPOT WHITE SPOT AND SCRATCH ON THE POLARIZER	ACCORDING TO STANDARD OF VISUAL INSPECTION (INSIDE VIEWING AREA)	Minor
	8. BUBBLE IN POLARIZER	ACCORDING TO STANDARD OF VISUAL INSPECTION (INSIDE VIEWING AREA)	Minor
	9. LCD'S RAINBOW COLOR	STRONG DEVIATION COLOR (OR NEWTON RING) OF LCD.....REJECTED. OR ACCORDING TO LIMITED SAMPLE (IF NEEDED, AND INSIDE VIEWING AREA)	Minor
ELECTRICAL	10. ELECTRICAL AND OPTICAL CHARACTERISTICS (CONTRAST, VOP, CHROMATICITY ... ETC)	ACCORDING TO SPECIFICATION OR DRAWING . (INSIDE VIEWING AREA)	Critical
	11.MISSING LINE	MISSING DOT, LINE, CHARACTERREJECTED	Critical
	12.SHORT CIRCUIT, WRONG PATTERN DISPLAY	NO DISPLAY, WRONG PATTERN DISPLAY, CURRENT CONSUMPTION OUT OF SPECIFICATION..... REJECTED	Critical
	13. DOT DEFECT (FOR COLOR AND TFT)	ACCORDING TO STANDARD OF VISUAL INSPECTION	Minor

8.4. STANDARD OF VISUAL INSPECTION

NO.	CLASS	ITEM	JUDGEMENT																				
8.4.1	MINOR	BLACK AND WHITE SPOT FOREIGN MATERIEL DUST IN THE CELL BLEMISH SCRATCH	<p>(A) ROUND TYPE: unit : mm.</p> <table border="1"> <thead> <tr> <th>DIAMETER (mm.)</th> <th>ACCEPTABLE Q'TY</th> </tr> </thead> <tbody> <tr> <td>$\Phi \leq 0.1$</td> <td>DISREGARD</td> </tr> <tr> <td>$0.1 < \Phi \leq 0.25$</td> <td>3 (Distance>5mm)</td> </tr> <tr> <td>$0.25 < \Phi$</td> <td>0</td> </tr> </tbody> </table> <p>NOTE: $\Phi = (\text{LENGTH} + \text{WIDTH}) / 2$</p> <p>(B) LINEAR TYPE: unit : mm.</p> <table border="1"> <thead> <tr> <th>LENGTH</th> <th>WIDTH</th> <th>ACCEPTABLE Q'TY</th> </tr> </thead> <tbody> <tr> <td>-----</td> <td>$W \leq 0.03$</td> <td>DISREGARD</td> </tr> <tr> <td>$L \leq 5.0$</td> <td>$0.03 < W \leq 0.07$</td> <td>3 (Distance>5mm)</td> </tr> <tr> <td>-----</td> <td>$0.07 < W$</td> <td>FOLLOW ROUND TYPE</td> </tr> </tbody> </table>	DIAMETER (mm.)	ACCEPTABLE Q'TY	$\Phi \leq 0.1$	DISREGARD	$0.1 < \Phi \leq 0.25$	3 (Distance>5mm)	$0.25 < \Phi$	0	LENGTH	WIDTH	ACCEPTABLE Q'TY	-----	$W \leq 0.03$	DISREGARD	$L \leq 5.0$	$0.03 < W \leq 0.07$	3 (Distance>5mm)	-----	$0.07 < W$	FOLLOW ROUND TYPE
DIAMETER (mm.)	ACCEPTABLE Q'TY																						
$\Phi \leq 0.1$	DISREGARD																						
$0.1 < \Phi \leq 0.25$	3 (Distance>5mm)																						
$0.25 < \Phi$	0																						
LENGTH	WIDTH	ACCEPTABLE Q'TY																					
-----	$W \leq 0.03$	DISREGARD																					
$L \leq 5.0$	$0.03 < W \leq 0.07$	3 (Distance>5mm)																					
-----	$0.07 < W$	FOLLOW ROUND TYPE																					
8.4.2	MINOR	BUBBLE IN POLARIZER DENT ON POLARIZER	<p style="text-align: right;">unit : mm.</p> <table border="1"> <thead> <tr> <th>DIAMETER</th> <th>ACCEPTABLE Q'TY</th> </tr> </thead> <tbody> <tr> <td>$\Phi \leq 0.2$</td> <td>DISREGARD</td> </tr> <tr> <td>$0.2 < \Phi \leq 0.5$</td> <td>2 (Distance>5mm)</td> </tr> <tr> <td>$0.5 < \Phi$</td> <td>0</td> </tr> </tbody> </table>	DIAMETER	ACCEPTABLE Q'TY	$\Phi \leq 0.2$	DISREGARD	$0.2 < \Phi \leq 0.5$	2 (Distance>5mm)	$0.5 < \Phi$	0												
DIAMETER	ACCEPTABLE Q'TY																						
$\Phi \leq 0.2$	DISREGARD																						
$0.2 < \Phi \leq 0.5$	2 (Distance>5mm)																						
$0.5 < \Phi$	0																						
8.4.3	MINOR	Dot Defect	<table border="1"> <thead> <tr> <th>Items</th> <th>ACC. Q'TY</th> </tr> </thead> <tbody> <tr> <td>Bright dot</td> <td>$N \leq 4$ (Distance>5mm)</td> </tr> <tr> <td>Dark dot</td> <td>$N \leq 4$ (Distance>5mm)</td> </tr> </tbody> </table> <p>Pixel Define</p>  <p>Not 1: The definition of dot: The size of a defective dot over 1/2 of whole dot is regarded as one defective dot. Not 2: Bright dot: Dots appear bright and unchanged in size in which LCD panel is displaying under black pattern. Not 3: Dark dot: Dots appear dark and unchanged in size in which LCD panel is displaying under pure red, green ,blue pattern.</p>	Items	ACC. Q'TY	Bright dot	$N \leq 4$ (Distance>5mm)	Dark dot	$N \leq 4$ (Distance>5mm)														
Items	ACC. Q'TY																						
Bright dot	$N \leq 4$ (Distance>5mm)																						
Dark dot	$N \leq 4$ (Distance>5mm)																						

NO.	CLASS	ITEM	JUDGEMENT
8.4.4	MINOR	LCD GLASS CHIPPING	 $Y > S$ Reject
8.4.5	MINOR	LCD GLASS CHIPPING	 $X \text{ or } Y > S$ Reject
8.4.6	MAJOR	LCD GLASS GLASS CRACK	 $Y > (1/2) T$ Reject
8.4.7	MAJOR	LCD GLASS SCRIBE DEFECT	 <ol style="list-style-type: none"> $a > L/3$, $A > 1.5\text{mm}$. Reject B : ACCORDING TO DIMENSION
8.4.8	MINOR	LCD GLASS CHIPPING (ON THE TERMINAL AREA)	 $\Phi = (x+y)/2 > 2.5 \text{ mm}$ Reject
8.4.9	MINOR	LCD GLASS CHIPPING (ON THE TERMINAL SURFACE)	 $Y > (1/3) T$ Reject
8.4.10	MINOR	LCD GLASS CHIPPING	 $Y > T$ Reject